

Load Xpert

Family of software packages

DATA SHEETS

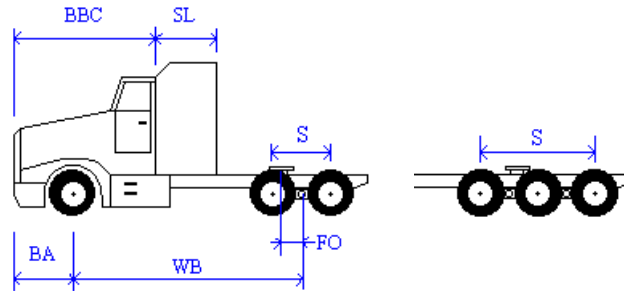
**Axle Load Calculation software
With Permit Request feature
For Heavy Trucks**

Load Xpert

Family of software packages

DATA SHEETS

	Page
1. Tractor Data Sheet	1
2. Tractor Data Sheet for Oversize/Overweight Permit	2
3. Truck Data Sheet	3
4. Truck Data Sheet for Oversize/Overweight Permit	4
5. Semitrailer Data Sheet	5-6
6. Pup Trailer Data Sheet	7-8
7. Dolly Data Sheet	9
8. Jeep Dolly Data Sheet	10
9. Drop Deck Trailer Data Sheet	11
10. Drop Deck Trailer with Booster Data Sheet	12-13
11. Bridge Data Sheet	14
12. Bridge Dolly Data Sheet	15
13. Mobile Home Data Sheet	16-17
14. Crane Data Sheet	18-19
15. Boom Dolly Data Sheet	20



A. REQUIRED DATA:

Unit system: 1. ft&in 2. m 3. lb 4. kg

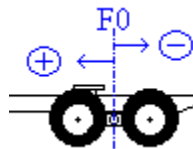
100. Tractor ID

101. Wheelbase, **WB** :

(from centre to centre steer axle to drive axle group)

102. Distance from front of bumper to center of steer axle, **BA** :

103. Fifth wheel offset, **FO** :



104. Drive axle group: 1. *Tandem* 2. *Tridem* 3. *Tandem + Pusher(or lift)*

105. Drive axle spread (from center of foremost wheel to center of rearmost wheel of the drive axle), **S** :

--

106. If pusher (or lift) axle present:

Distance from center of steer axle to center of pusher (or lift) axle :

--

B. REQUIRED DATA (WEIGHTS): (Note: if pusher (or lift) axle is present, it must be up)

110. Weight on steer axle (for tractor alone) :

--

111. Weight on drive axle (for tractor alone) :

--

C. OPTIONAL DATA:

115. Distance from bumper to back of cab, **BBC** :

--

116. Sleeper length (if present), **SL** :

--

117. Cab type: 1. *Conventional* 2. *Cab over engine*

2. Tractor Data Sheet for Oversize/Overweight Permit

2

100. Tractor ID

Unit system: 1. ft&in 2. m 3. lb 4. kg

120. Make: 123. License plate #:
 121. Year: 124. License plate
 122. Serial number: State/Province:

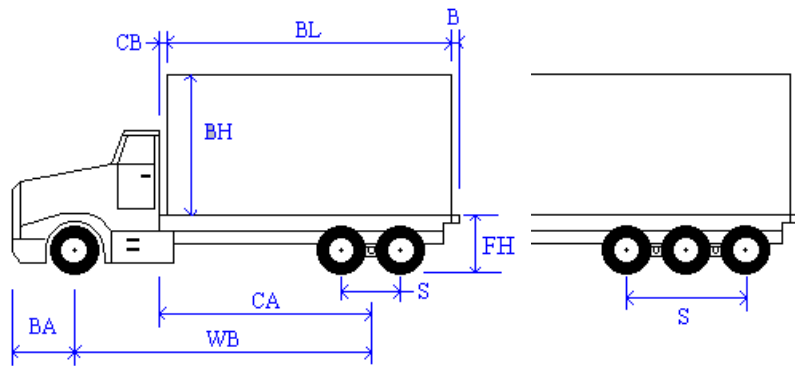
125.	Steer	Axle width :	<input type="text"/>	130. <u>Tire Type:</u>	
126.	axle	Axle rating :	<input type="text"/>	1. <i>Single (one tire on each side of the axle)</i>	<input type="checkbox"/>
127.	group	Tire width :	<input type="text"/>	2. <i>Dual (two tires on each side of the axle)</i>	<input type="checkbox"/>
128.		Tire rating:	<input type="text"/>	3. <i>Quad (four tires on each side of axle)</i>	<input type="checkbox"/>
129.		Tire size:	<input type="text"/>		

131.	Drive	Axle width :	<input type="text"/>	136. <u>Tire Type:</u>	
132.	axle	Axle rating :	<input type="text"/>	1. <i>Single (one tire on each side of the axle)</i>	<input type="checkbox"/>
133.	group	Tire width :	<input type="text"/>	2. <i>Dual (two tires on each side of the axle)</i>	<input type="checkbox"/>
134.		Tire rating:	<input type="text"/>	3. <i>Quad (four tires on each side of axle)</i>	<input type="checkbox"/>
135.		Tire size:	<input type="text"/>		

137.	Push	Axle width :	<input type="text"/>	142. <u>Tire Type:</u>	
138.	or	Axle rating :	<input type="text"/>	1. <i>Single (one tire on each side of the axle)</i>	<input type="checkbox"/>
139.	lift	Tire width :	<input type="text"/>	2. <i>Dual (two tires on each side of the axle)</i>	<input type="checkbox"/>
140.	axle	Tire rating:	<input type="text"/>	3. <i>Quad (four tires on each side of axle)</i>	<input type="checkbox"/>
141.	(if present)	Tire size:	<input type="text"/>		

	State	Registered weight		State	Registered weight		State	Registered weight
143.	AL		165.	MI		187.	UT	
144.	AK		166.	MN		188.	VT	
145.	AZ		167.	MS		189.	VA	
146.	AR		168.	MO		190.	WA	
147.	CA		169.	MT		191.	WV	
148.	CO		170.	NE		192.	WJ	
149.	CT		171.	NV		193.	WY	
150.	DE		172.	NH		CANADA		
151.	D.C.		173.	NJ			Prov.	Registered weight
152.	FL		174.	NM				
153.	GA		175.	NY		194.	AB	
154.	HI		176.	NC		195.	BC	
155.	ID		177.	ND		196.	MB	
156.	IL		178.	OH		197.	ON	
157.	IN		179.	OK		198.	NB	
158.	IA		180.	OR		199.	NF	
159.	KS		181.	PA		200.	NS	
160.	KY		182.	RI		201.	NWT	
161.	LA		183.	SC		202.	PIE	
162.	ME		184.	SD		203.	QC	
163.	MD		185.	TN		204.	SK	
164.	MA		186.	TX		205.	YK	

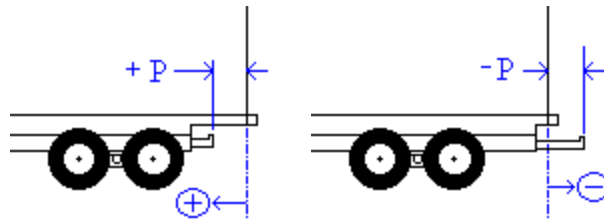
3. Truck Data Sheet for *Load Xpert*



A. REQUIRED DATA:

Unit system: 1. ft&in 2. m 3. lb 4. kg

- 220. Truck ID
- 221. Wheelbase, **WB** :
- 222. Distance from back of cab to center of drive axle, **CA** :
- 223. Distance from back of cab to front of body, **CB** :
- 224. Body length, **BL** :
- 225. Distance from front of bumper to center of steer axle, **BA** :
- 226. Bumper length, **B** :
- 227. Distance from back of body to pintle hook, **P** :



- 228. Body look: 1. Closed van 2. Flatbed 3. Reefer 4. Dump 5. Tanker
- 229. Drive axle group: 1. Tandem 2. Tridem 3. Tandem + Lift
- 230. Drive axle spread (from center of foremost wheel to center of rearmost wheel of the drive axle), **S** :
- 231. If lift axle present:
Distance from center of steer axle to center of lift axle :

B. REQUIRED DATA (WEIGHTS): (Note: if lift axle is present, it must be up)

- 235. Weight on steer axle (for empty truck) :
- 236. Weight on drive axle (for empty truck) :

C. OPTIONAL DATA:

- 240. Body height, **BH** :
- 241. Body width :
- 242. Height of bed floor from ground, **FH** :
- 243. Cab type: 1. Conventional 2. Cab over engine

4. Truck Data Sheet for Oversize/Overweight Permit

220. Truck ID

4

Unit system: 1. ft&in 2. m 3. lb 4. kg

250. Make: 125. License plate #:
 251. Year: 126. License plate State/Province:
 252. Serial number:

255.	Steer	Axle width :	<input type="text"/>	260. <u>Tire Type:</u>	
256.	axle	Axle rating :	<input type="text"/>	1. <i>Single (one tire on each side of the axle)</i>	<input type="checkbox"/>
257.	group	Tire width :	<input type="text"/>	2. <i>Dual (two tires on each side of the axle)</i>	<input type="checkbox"/>
258.		Tire rating:	<input type="text"/>	3. <i>Quad (four tires on each side of axle)</i>	<input type="checkbox"/>
259.		Tire size:	<input type="text"/>		

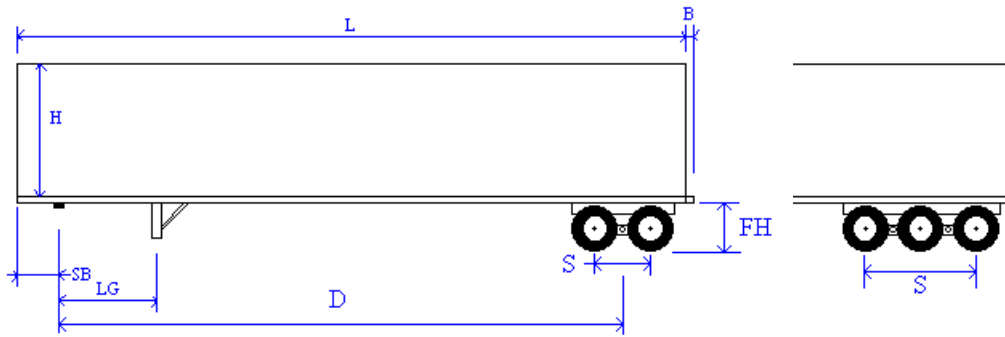
261.	Drive	Axle width :	<input type="text"/>	266. <u>Tire Type:</u>	
262.	axle	Axle rating :	<input type="text"/>	1. <i>Single (one tire on each side of the axle)</i>	<input type="checkbox"/>
263.	group	Tire width :	<input type="text"/>	2. <i>Dual (two tires on each side of the axle)</i>	<input type="checkbox"/>
264.		Tire rating:	<input type="text"/>	3. <i>Quad (four tires on each side of axle)</i>	<input type="checkbox"/>
265.		Tire size:	<input type="text"/>		

267.	Push	Axle width :	<input type="text"/>	272. <u>Tire Type:</u>	
268.	or	Axle rating :	<input type="text"/>	1. <i>Single (one tire on each side of the axle)</i>	<input type="checkbox"/>
269.	lift	Tire width :	<input type="text"/>	2. <i>Dual (two tires on each side of the axle)</i>	<input type="checkbox"/>
270.	axle	Tire rating:	<input type="text"/>	3. <i>Quad (four tires on each side of axle)</i>	<input type="checkbox"/>
271.	(if present)	Tire size:	<input type="text"/>		

	State	Registered weight		State	Registered weight		State	Registered weight
273.	AL		295.	MI		317.	UT	
274.	AK		296.	MN		318.	VT	
275.	AZ		297.	MS		319.	VA	
276.	AR		298.	MO		320.	WA	
277.	CA		299.	MT		321.	WV	
278.	CO		300.	NE		322.	WJ	
279.	CT		301.	NV		323.	WY	
280.	DE		302.	NH		CANADA		
281.	D.C.		303.	NJ			Prov.	Registered weight
282.	FL		304.	NM				
283.	GA		305.	NY		324.	AB	
284.	Hawaii		306.	NC		325.	BC	
285.	ID		307.	ND		326.	MB	
286.	IL		308.	OH		327.	ON	
287.	IN		309.	OK		328.	NB	
288.	IA		310.	OR		329.	NF	
289.	KS		311.	PA		330.	NS	
290.	KY		312.	RI		331.	NWT	
291.	LA		313.	SC		332.	PIE	
292.	ME		314.	SD		333.	QC	
293.	MD		315.	TN		334.	SK	
294.	MA		316.	TX		335.	YK	



5. Semitrailer Data Sheet for *Load Xpert*



A. REQUIRED DATA:

Unit system: 1. ft&in 2. m 3. lb 4. kg

- 350. Semi trailer ID
- 351. Axle group position, **D** :
- 352. Length, **L** :
- 353. Kingpin setback, **SB** :
- 354. Bumper length, **B** :
- 355. Body look: 1. Closed van 2. Flatbed 3. Reefer 4. Dump 5. Tanker
- 356. Axle group type: 1. Tandem 2. Tridem 3. Tandem + Lift
- 357. Axle spread (from center of foremost wheel to center of rearmost wheel of the axle), **S** :
- 358. Weight of axle group (includes weight of wheels, suspension and subframe) (needed only for slideable axle) :
- 359. If lift axle present:
Distance from kingpin to center of lift axle :
- 360. If lift axle present:
Weight of lift axle (includes weight of wheels, suspension & subframe)
- 361. If lift axle present:
Load setting (includes axle weight) :

B. REQUIRED DATA (WEIGHTS): (Note: if lift axle is present, it must be up)

- 364. Tare weight of trailer (empty) :
- 365. Weight on rear axle group (for empty trailer) :

C. OPTIONAL DATA:

- 370. Body height, **H** :
- 371. Landing gear position from kingpin, **LG** :
- 372. Trailer width :
- 373. Height of bed floor from ground, **FH** :

6. Semitrailer Data Sheet for *Load Xpert*

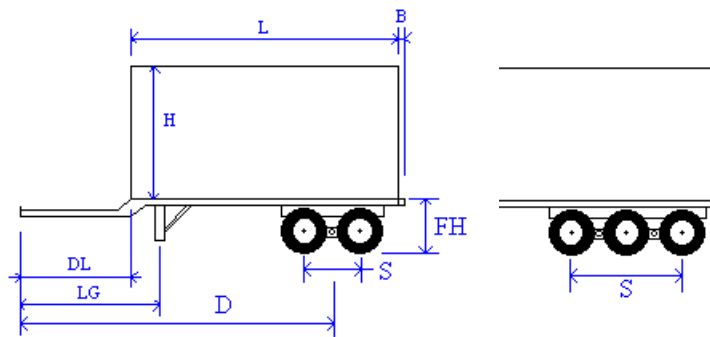
D. SEMITRAILER DATA FOR OVERSIZE/OVERWEIGHT PERMIT:

380. Make:	<input type="text"/>	383. License plate #:	<input type="text"/>
381. Year:	<input type="text"/>	384. License plate	
382. Serial number:	<input type="text"/>	State/Province :	<input type="text"/>

385. Rear	Axle width : Axle rating : Tire width : Tire rating: Tire size:	<input type="text"/>	390. <u>Tire Type:</u>
386. axle		<input type="text"/>	1. <i>Single (one tire on each side of the axle)</i> <input type="checkbox"/>
387. group		<input type="text"/>	2. <i>Dual (two tires on each side of the axle)</i> <input type="checkbox"/>
388.		<input type="text"/>	3. <i>Quad (four tires on each side of axle)</i> <input type="checkbox"/>
389.		<input type="text"/>	

391. Lift	Axle width : Axle rating : Tire width : Tire rating: Tire size:	<input type="text"/>	396. <u>Tire Type:</u>
392. axle		<input type="text"/>	1. <i>Single (one tire on each side of the axle)</i> <input type="checkbox"/>
393. group		<input type="text"/>	2. <i>Dual (two tires on each side of the axle)</i> <input type="checkbox"/>
394. (if present)		<input type="text"/>	3. <i>Quad (four tires on each side of axle)</i> <input type="checkbox"/>
395.		<input type="text"/>	

7. Pup Trailer Data Sheet for *Load Xpert*



A. REQUIRED DATA:

Unit system: 1. ft&in 2. m 3. lb 4. kg

- 400. Pup Trailer ID
- 401. Axle group position, **D** :
- 402. Length, **L** :
- 403. Drawbar length, **DL**:
- 404. Bumper length, **B** :
- 405. Body look: 1. Closed van 2. Flatbed 3. Reefer 4. Dump 5. Tanker
- 406. Axle group type: 1. Tandem 2. Tridem 3. Tandem + Lift
- 407. Axle spread (from center of foremost wheel to center of rearmost wheel of the axle), **S** :
- 408. Weight of axle group (includes weight of wheels, suspension and subframe) (needed only for slideable axle) :
- 409. If lift axle present:
Distance from front hitch to center of lift axle :
- 410. If lift axle present:
Weight of lift axle (includes weight of wheels, suspension & subframe)
- 411. If lift axle present:
Load setting (includes axle weight) :

B. REQUIRED DATA (WEIGHTS): (Note: if lift axle is present, it must be up)

- 415. Tare weight of trailer (empty) :
- 416. Weight on rear axle group (for empty trailer) :

C. OPTIONAL DATA:

- 420. Body height, **H** :
- 421. Landing gear position from front hitch, **LG** :
- 422. Trailer width :
- 423. Height of bed floor from ground, **FH** :

8. Pup Trailer Data Sheet for Load Xpert

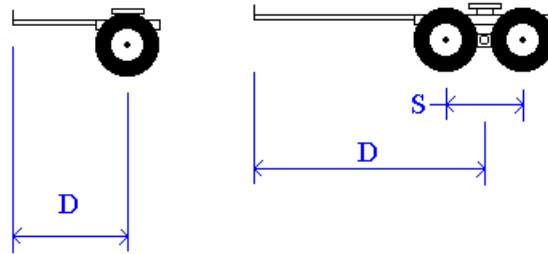
8

D. PUP TRAILER DATA FOR OVERSIZE/OVERWEIGHT PERMIT:

430. Make:	<input type="text"/>	433. License plate #:	<input type="text"/>
431. Year:	<input type="text"/>	434. License plate	
432. Serial number:	<input type="text"/>	State/Province :	<input type="text"/>

435. Rear	axle group	Axle width :	<input type="text"/>	440. <u>Tire Type:</u>	
436. axle		Axle rating :	<input type="text"/>	1. Single (one tire on each side of the axle)	<input type="checkbox"/>
437. group		Tire width :	<input type="text"/>	2. Dual (two tires on each side of the axle)	<input type="checkbox"/>
438.		Tire rating:	<input type="text"/>	3. Quad (four tires on each side of axle)	<input type="checkbox"/>
439.		Tire size:	<input type="text"/>		

441. Lift	axle group (if present)	Axle width :	<input type="text"/>	446. <u>Tire Type:</u>	
442. axle		Axle rating :	<input type="text"/>	1. Single (one tire on each side of the axle)	<input type="checkbox"/>
443. group		Tire width :	<input type="text"/>	2. Dual (two tires on each side of the axle)	<input type="checkbox"/>
444.		Tire rating:	<input type="text"/>	3. Quad (four tires on each side of axle)	<input type="checkbox"/>
445.		Tire size:	<input type="text"/>		



A. REQUIRED DATA:

Unit system: 1. ft&in 2. m 3. lb 4. kg

- 450. Dolly ID
- 451. Front hitch to fifth wheel distance, **D** :
- 452. Axle group type: 1. *Single* 2. *Tandem*
- 453. Axle spread (from center of foremost wheel to center of rearmost wheel of the axle), **S** :

B. REQUIRED DATA (WEIGHTS):

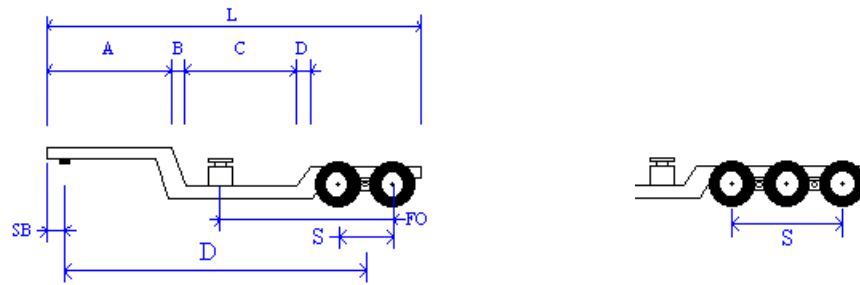
- 460. Tare weight of dolly :

C. DOLLY DATA FOR OVERSIZE/OVERWEIGHT PERMIT:

- 465. Make:
- 466. Year:
- 467. Serial number:
- 468. License plate #:
- 469. License plate State/Province :

470.	Axle group	Axle width :	<input style="width: 95%; height: 15px;" type="text"/>	475. <u>Tire Type:</u>	
471.		Axle rating :	<input style="width: 95%; height: 15px;" type="text"/>	1. <i>Single</i> (one tire on each side of the axle)	<input type="checkbox"/>
472.		Tire width :	<input style="width: 95%; height: 15px;" type="text"/>	2. <i>Dual</i> (two tires on each side of the axle)	<input type="checkbox"/>
473.		Tire rating:	<input style="width: 95%; height: 15px;" type="text"/>	3. <i>Quad</i> (four tires on each side of axle)	<input type="checkbox"/>
474.		Tire size:	<input style="width: 95%; height: 15px;" type="text"/>		

10. Jeep Dolly Data Sheet for Load Xpert



A. REQUIRED DATA:

Unit system: 1. ft&in 2. m 3. lb 4. kg

- 480. Jeep dolly ID
- 481. Axle group position, **D** :
- 482. Jeep length, **L** :
- 483. Kingpin setback, **SB** :
- 484. Distance from fifth wheel to center of rearmost wheel, **FO** :
- 485. Jeep type: 1. Double drop 2. Single drop
- 486. Distance **A** :
- 487. Distance **B** :
- 488. Distance **C** : (only for double drop)
- 489. Distance **D** : (only for double drop)
- 490. Jeep axle group: 1. Tandem 2. Tridem 3. Multiple
- 491. Axle spread (from center of foremost wheel to center of rearmost wheel of the axle), **S** :

B. REQUIRED DATA (WEIGHTS):

- 495. Tare weight of jeep :
- 496. Weight on axle group :

C. OPTIONAL DATA:

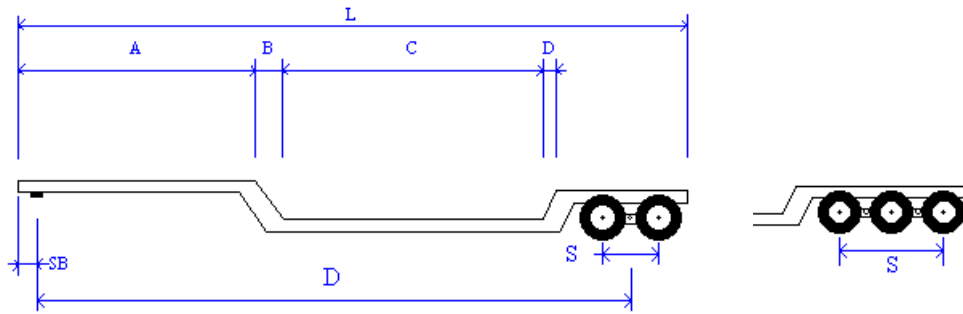
- 500. Trailer width :

D. JEEP DATA FOR OVERSIZE/OVERWEIGHT PERMIT:

- 505. Make:
- 506. Year:
- 507. Serial number:
- 508. License plate #:
- 509. License plate State/Province :

510.	Axle group	Axle width :	<input style="width: 95%;" type="text"/>	515. <u>Tire Type:</u>	
511.		Axle rating :	<input style="width: 95%;" type="text"/>	1. Single (one tire on each side of the axle)	<input type="checkbox"/>
512.		Tire width :	<input style="width: 95%;" type="text"/>	2. Dual (two tires on each side of the axle)	<input type="checkbox"/>
513.		Tire rating:	<input style="width: 95%;" type="text"/>	3. Quad (four tires on each side of axle)	<input type="checkbox"/>
514.		Tire size:	<input style="width: 95%;" type="text"/>		

11. Drop Deck Trailer Data Sheet for Load Xpert



A. REQUIRED DATA:

Unit system: 1. ft&in 2. m 3. lb 4. kg

- 520. Drop deck trailer ID
- 521. Axle position, **D** :
- 522. Trailer length, **L** :
- 523. Kingpin setback, **SB** :
- 524. Trailer type: 1. Double drop 2. Single drop
- 525. Distance **A** :
- 526. Distance **B** :
- 527. Distance **C** : (only for double drop)
- 528. Distance **D** : (only for double drop)
- 529. Trailer axle group: 1. Tandem 2. Tridem 3. Multi
- 530. Axle spread (from center of foremost wheel to center of rearmost wheel of the axle), **S** :

B. REQUIRED DATA (WEIGHTS):

- 535. Weight of empty trailer:
- 536. Weight on axle group (for empty trailer) :

C. OPTIONAL DATA:

- 540. Trailer width :
- 541. Height of deck from ground :

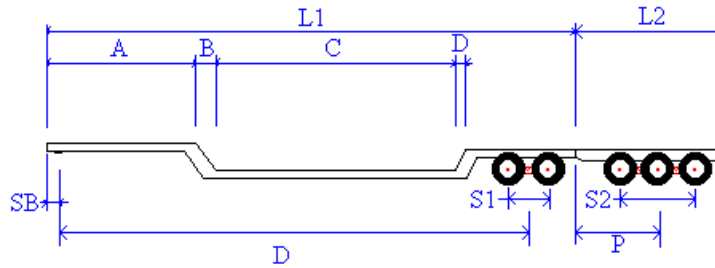
D. TRAILER DATA FOR OVERSIZE/OVERWEIGHT PERMIT:

- 545. Make:
- 546. Year:
- 547. Serial number:
- 548. License plate #:
- 549. License plate State/Province :

550.	Axle group	Axle width :	<input style="width: 95%; height: 20px;" type="text"/>	555. <u>Tire Type:</u>	
551.		Axle rating :	<input style="width: 95%; height: 20px;" type="text"/>	1. Single (one tire on each side of the axle)	<input type="checkbox"/>
552.		Tire width :	<input style="width: 95%; height: 20px;" type="text"/>	2. Dual (two tires on each side of the axle)	<input type="checkbox"/>
553.		Tire rating:	<input style="width: 95%; height: 20px;" type="text"/>	3. Quad (four tires on each side of axle)	<input type="checkbox"/>
554.		Tire size:	<input style="width: 95%; height: 20px;" type="text"/>		

12. Drop Deck Trailer with Booster Data Sheet for Load Xpert page 1 of 2

12



A. REQUIRED DATA:

Unit system: 1. ft&in 2. m 3. lb 4. kg

- 560. Trailer/Booster ID
- 561. Axle group position, **D** :
- 562. Trailer length, **L1** :
- 563. Kingpin setback, **SB** :
- 564. Trailer type: 1. Double drop 2. Single drop
- 565. Distance **A** :
- 566. Distance **B** :
- 567. Distance **C** : (only for double drop)
- 568. Distance **D** : (only for double drop)
- 569. Trailer axle group: 1. Tandem 2. Tridem 3. Multiple
- 570. Trailer axle spread (from center of foremost wheel to center of rearmost wheel of the axle), **S1** :
- 571. Booster length, **L2** :
- 572. Booster axle distance from rear of trailer, **P** :
- 573. Booster type : 1. Common air 2. Mechanical 3. Air regulated
- 574. Position of trunnion from mid point of booster axle group (for mechanical booster only) :
- 575. Axle load (ground load) setting (for air regulated booster only) :
- 576. Booster axle group: 1. Single 2. Tandem 3. Tridem 4. Multi
- 577. Booster Axle spread (from center of foremost wheel to center of rearmost wheel of the axle), **S2** :

B. REQUIRED DATA (WEIGHTS):

- 585. Tare weight of trailer with booster(for empty trailer) :
- 586. Booster axle group weight (needed only for slidable axle groups)
- 587. Weight on rear axle (for empty trailer with booster) :
- 588. Weight on booster axle (for empty trailer with booster) :

C. OPTIONAL DATA:

- 595. Trailer width :
- 596. Height of deck from ground :

13. Drop Deck Trailer with Booster Data Sheet for Load Xpert page 2 of 2

D. TRAILER DATA FOR OVERSIZE/OVERWEIGHT PERMIT:

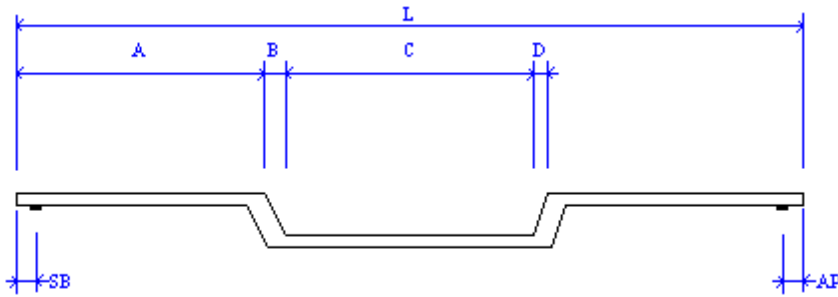
13

600. Make: <input style="width: 150px; height: 20px;" type="text"/>	603. License plate #: <input style="width: 150px; height: 20px;" type="text"/>
601. Year: <input style="width: 150px; height: 20px;" type="text"/>	604. License plate State/Province: <input style="width: 150px; height: 20px;" type="text"/>
602. Serial number: <input style="width: 150px; height: 20px;" type="text"/>	

605.	Rear	Axle width :	<input style="width: 100%; height: 20px;" type="text"/>	610. <u>Tire Type:</u>
606.	axle	Axle rating :	<input style="width: 100%; height: 20px;" type="text"/>	1. Single (one tire on each side of the axle) <input style="width: 20px; height: 20px;" type="checkbox"/>
607.	group	Tire width :	<input style="width: 100%; height: 20px;" type="text"/>	2. Dual (two tires on each side of the axle) <input style="width: 20px; height: 20px;" type="checkbox"/>
608.		Tire rating:	<input style="width: 100%; height: 20px;" type="text"/>	3. Quad (four tires on each side of axle) <input style="width: 20px; height: 20px;" type="checkbox"/>
609.		Tire size:	<input style="width: 100%; height: 20px;" type="text"/>	

611.	Boost	Axle width :	<input style="width: 100%; height: 20px;" type="text"/>	616. <u>Tire Type:</u>
612.	axle	Axle rating :	<input style="width: 100%; height: 20px;" type="text"/>	1. Single (one tire on each side of the axle) <input style="width: 20px; height: 20px;" type="checkbox"/>
613.	group	Tire width :	<input style="width: 100%; height: 20px;" type="text"/>	2. Dual (two tires on each side of the axle) <input style="width: 20px; height: 20px;" type="checkbox"/>
614.		Tire rating:	<input style="width: 100%; height: 20px;" type="text"/>	3. Quad (four tires on each side of axle) <input style="width: 20px; height: 20px;" type="checkbox"/>
615.		Tire size:	<input style="width: 100%; height: 20px;" type="text"/>	

14. Bridge Data Sheet for *Load Xpert*



A. REQUIRED DATA:

Unit system: 1. ft&in 2. m 3. lb 4. kg

- 620. Bridge ID
- 621. Bridge length, **L** :
- 622. Kingpin setback, **SB** :
- 623. Rear articulation position, **AP** :
- 624. Distance **A** :
- 625. Distance **B** :
- 626. Distance **C** :
- 627. Distance **D** :

B. REQUIRED DATA (WEIGHTS):

- 635. Tare weight of bridge (for empty bridge):
- 636. Center of gravity position measured from front kingpin :

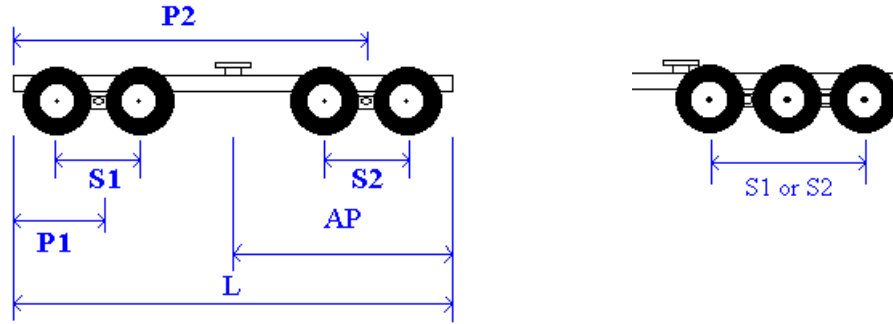
C. OPTIONAL DATA:

- 640. Bridge width :
- 641. Height of deck from ground :

D. BRIDGE DATA FOR OVERSIZE/OVERWEIGHT PERMIT:

- 645. Make:
- 646. Year:
- 647. Serial number:
- 648. License plate #:
- 649. License plate State/Province :

15. Bridge Dolly Data Sheet for Load Xpert



A. REQUIRED DATA:

Unit system: 1. ft&in 2. m 3. lb 4. kg

- 660. Bridge Dolly ID
- 661. Length, L :
- 662. Distance from fifth wheel to rear of dolly frame, AP :
- 663. Front axle group: 1. Single 2. Tandem 3. Tridem
- 664. Front axle group position from front of dolly frame, P1 :
- 665. Front axle spread (from center of foremost wheel to center of rearmost wheel of the axle), S1 :
- 666. Rear axle group: 1. Single 2. Tandem 3. Tridem
- 667. Rear axle group position from front of dolly frame, P2 :
- 668. Rear axle spread (from center of foremost wheel to center of rearmost wheel of the axle), S2 :

B. REQUIRED DATA (WEIGHTS):

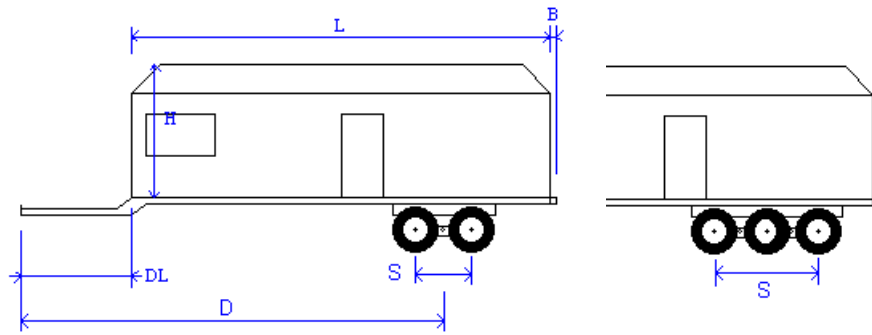
- 675. Weight on front axle group (for dolly alone) :
- 676. Weight on rear axle group (for dolly alone) :

C. BRIDGE DOLLY DATA FOR OVSERIZE/OVERWEIGHT PERMIT:

- 680. Make:
- 681. Year:
- 682. Serial number:
- 683. License plate #:
- 684. License plate State/Province :

685.	Front axle group	Axle width :	<input style="width: 95%; height: 15px;" type="text"/>	690. <u>Tire Type:</u>	
686.		Axle rating :	<input style="width: 95%; height: 15px;" type="text"/>	1. Single (one tire on each side of the axle)	<input type="checkbox"/>
687.		Tire width :	<input style="width: 95%; height: 15px;" type="text"/>	2. Dual (two tires on each side of the axle)	<input type="checkbox"/>
688.		Tire rating:	<input style="width: 95%; height: 15px;" type="text"/>	3. Quad (four tires on each side of axle)	<input type="checkbox"/>
689.		Tire size:	<input style="width: 95%; height: 15px;" type="text"/>		

691.	Rear axle group	Axle width :	<input style="width: 95%; height: 15px;" type="text"/>	696. <u>Tire Type:</u>	
692.		Axle rating :	<input style="width: 95%; height: 15px;" type="text"/>	1. Single (one tire on each side of the axle)	<input type="checkbox"/>
693.		Tire width :	<input style="width: 95%; height: 15px;" type="text"/>	2. Dual (two tires on each side of the axle)	<input type="checkbox"/>
694.		Tire rating:	<input style="width: 95%; height: 15px;" type="text"/>	3. Quad (four tires on each side of axle)	<input type="checkbox"/>
695.		Tire size:	<input style="width: 95%; height: 15px;" type="text"/>		



A. REQUIRED DATA:

Unit system: 1. ft&in 2. m 3. lb 4. kg

- 700. Mobile Home ID
- 701. Axle group position, **D** :
- 702. Length, **L** :
- 703. Drawbar length, **DL**:
- 704. Bumper length, **B** :
- 705. Axle group type: 1. Tandem 2. Tridem 3. Tandem + Lift
- 706. Axle spread (from center of foremost wheel to center of rearmost wheel of the axle), **S** :
- 707. Weight of axle group (includes weight of wheels, suspension and subframe) (needed only for slideable axle) :
- 708. If lift axle present:
Distance from front hitch to center of lift axle :
- 709. If lift axle present:
Weight of lift axle (includes weight of wheels, suspension & subframe)
- 710. If lift axle present:
Load setting (includes axle weight) :

B. REQUIRED DATA (WEIGHTS): (Note: if lift axle is present, it must be up)

- 715. Tare weight of mobile home :
- 716. Weight on rear axle group :

C. OPTIONAL DATA:

- 720. Mobile home height, **H** :
- 721. Mobile home width :

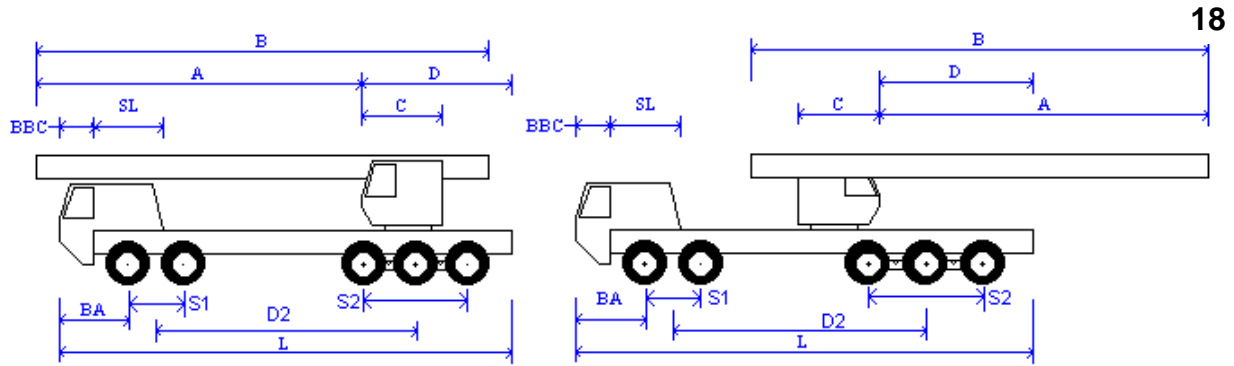
D. MOBILE HOME DATA FOR OVERSIZE/OVERWEIGHT PERMIT:

730. Make:	<input type="text"/>	733. License plate #:	<input type="text"/>
731. Year:	<input type="text"/>	734. License plate	
732. Serial number:	<input type="text"/>	State/Province :	<input type="text"/>

735. Rear	axle group	Axle width :	<input type="text"/>	740. <u>Tire Type:</u>	
736.		Axle rating :	<input type="text"/>	1. Single (one tire on each side of the axle)	<input type="checkbox"/>
737.		Tire width :	<input type="text"/>	2. Dual (two tires on each side of the axle)	<input type="checkbox"/>
738.		Tire rating:	<input type="text"/>	3. Quad (four tires on each side of axle)	<input type="checkbox"/>
739.		Tire size:	<input type="text"/>		

741. Lift	axle group (if present)	Axle width :	<input type="text"/>	746. <u>Tire Type:</u>	
742.		Axle rating :	<input type="text"/>	1. Single (one tire on each side of the axle)	<input type="checkbox"/>
743.		Tire width :	<input type="text"/>	2. Dual (two tires on each side of the axle)	<input type="checkbox"/>
744.		Tire rating:	<input type="text"/>	3. Quad (four tires on each side of axle)	<input type="checkbox"/>
745.		Tire size:	<input type="text"/>		

18. Crane Data Sheet for Load Xpert



A. REQUIRED DATA:

Unit system: 1. ft&in 2. m 3. lb 4. kg

- 750. Crane ID
- 751. Length, **L** :
- 752. Distance from front of bumper to center of foremost wheel, **BA** :
- 753. Distance from bumper to back of cab, **BBC** :
- 754. Distance from back of cab to back of engine cabinet, **SL** :
- 755. Boom length, **B** :
- 756. Distance from front of boom to front of crane cab, **A** :
- 757. Crane cab length, **C** :
- 758. Distance from front of crane cab to back of crane, **D** :
- 759. Boom direction 1. Forward 1. Backward
- 760. Steer axle group: 1. Single 2. Tandem 3. Tridem
- 761. Steer axle spread (from center of foremost wheel to center of rearmost wheel of the axle), **S1** :
- 762. Second axle group: 1. Single 2. Tandem 3. Tridem
- 763. Axle position (center to center, steer to 2nd axle group), **D2** :
- 764. Axle spread (from center of foremost wheel to center of rearmost wheel of the axle), **S2** :
- 765. Third axle group: (if present) 1. Single 2. Tandem 3. Tridem
- 766. Axle position (center to center, 2nd to 3rd axle group), **D3** :
- 767. Axle spread (from center of foremost wheel to center of rearmost wheel of the axle), **S3** :
- 768. Fourth axle group: (if present) 1. Single 2. Tandem 3. Tridem
- 769. Axle position (center to center, 3rd to 4th axle group), **D3** :
- 770. Axle spread (from center of foremost wheel to center of rearmost wheel of the axle), **S4** :

B. REQUIRED DATA (WEIGHTS): (Note: if lift axle is present, it must be up)

- 775. Weight on steer axle group :
- 776. Weight on second axle group :
- 777. Weight on third axle group (if present) :
- 778. Weight on fourth axle group (if present) :

C. CRANE DATA FOR OVERSIZE/OVERWEIGHT PERMIT:

780. Make:	<input type="text"/>	783. License plate #:	<input type="text"/>
781. Year:	<input type="text"/>	784. License plate	
782. Serial number:	<input type="text"/>	State/Province :	<input type="text"/>

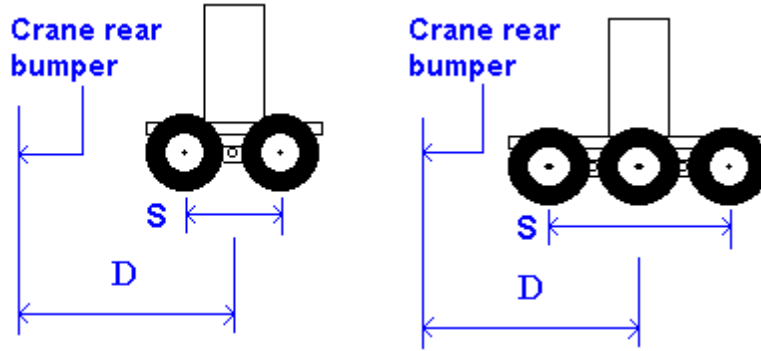
785. Axle group	Axle width :	<input type="text"/>	790. <u>Tire Type:</u>
786.	Axle rating :	<input type="text"/>	1. <i>Single (one tire on each side of the axle)</i> <input type="checkbox"/>
787.	Tire width :	<input type="text"/>	2. <i>Dual (two tires on each side of the axle)</i> <input type="checkbox"/>
788.	Tire rating:	<input type="text"/>	3. <i>Quad (four tires on each side of axle)</i> <input type="checkbox"/>
789.	Tire size:	<input type="text"/>	

791. 2 nd group	Axle width :	<input type="text"/>	796. <u>Tire Type:</u>
792.	Axle rating :	<input type="text"/>	1. <i>Single (one tire on each side of the axle)</i> <input type="checkbox"/>
793.	Tire width :	<input type="text"/>	2. <i>Dual (two tires on each side of the axle)</i> <input type="checkbox"/>
794.	Tire rating:	<input type="text"/>	3. <i>Quad (four tires on each side of axle)</i> <input type="checkbox"/>
795.	Tire size:	<input type="text"/>	

797. 3 rd group	Axle width :	<input type="text"/>	802. <u>Tire Type:</u>
798.	Axle rating :	<input type="text"/>	1. <i>Single (one tire on each side of the axle)</i> <input type="checkbox"/>
799.	Tire width :	<input type="text"/>	2. <i>Dual (two tires on each side of the axle)</i> <input type="checkbox"/>
800.	Tire rating:	<input type="text"/>	3. <i>Quad (four tires on each side of axle)</i> <input type="checkbox"/>
801.	Tire size:	<input type="text"/>	

803. 4 th group	Axle width :	<input type="text"/>	808. <u>Tire Type:</u>
804.	Axle rating :	<input type="text"/>	1. <i>Single (one tire on each side of the axle)</i> <input type="checkbox"/>
805.	Tire width :	<input type="text"/>	2. <i>Dual (two tires on each side of the axle)</i> <input type="checkbox"/>
806.	Tire rating:	<input type="text"/>	3. <i>Quad (four tires on each side of axle)</i> <input type="checkbox"/>
807.	Tire size:	<input type="text"/>	

20. Boom Dolly Data Sheet for Load Xpert



A. REQUIRED DATA:

Unit system: 1. ft&in 2. m 3. lb 4. kg

- 820. Boom Dolly ID
- 821. Distance from crane rear bumper to center of axle group, **D** :
- 822. Axle group type: 1. Tandem 2. Tridem
- 823. Axle spread (from center of foremost wheel to center of rearmost wheel of the axle), **S** :

B. REQUIRED DATA (WEIGHTS):

824. Tare weight of boom dolly :

C. DOLLY DATA FOR OVERSIZE/OVERWEIGHT PERMIT:

- 825. Make:
- 826. Year:
- 827. Serial number:
- 828. License plate #:
- 829. License plate State/Province :

830.	Axle group	Axle width :	<input style="width: 95%; height: 15px;" type="text"/>	835. <u>Tire Type:</u>	
831.		Axle rating :	<input style="width: 95%; height: 15px;" type="text"/>	1. Single (one tire on each side of the axle)	<input type="checkbox"/>
832.		Tire width :	<input style="width: 95%; height: 15px;" type="text"/>	2. Dual (two tires on each side of the axle)	<input type="checkbox"/>
833.		Tire rating:	<input style="width: 95%; height: 15px;" type="text"/>	3. Quad (four tires on each side of axle)	<input type="checkbox"/>
834.		Tire size:	<input style="width: 95%; height: 15px;" type="text"/>		